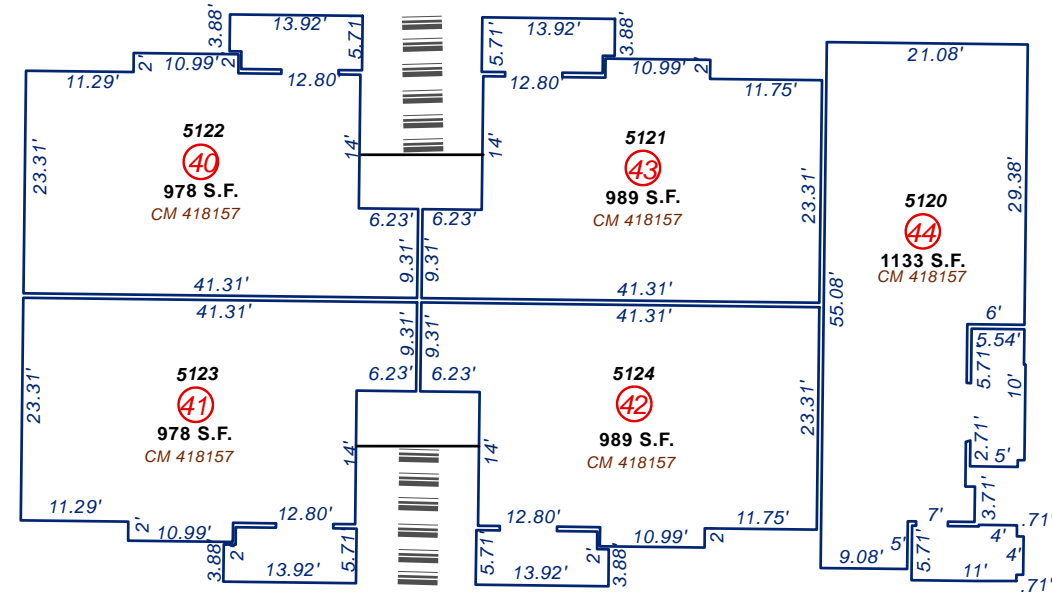


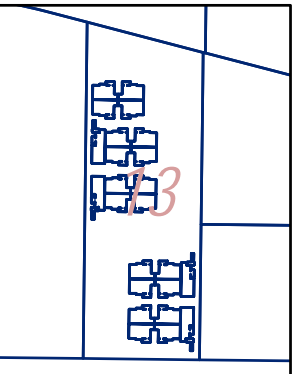
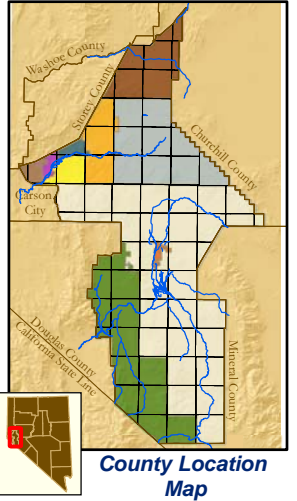
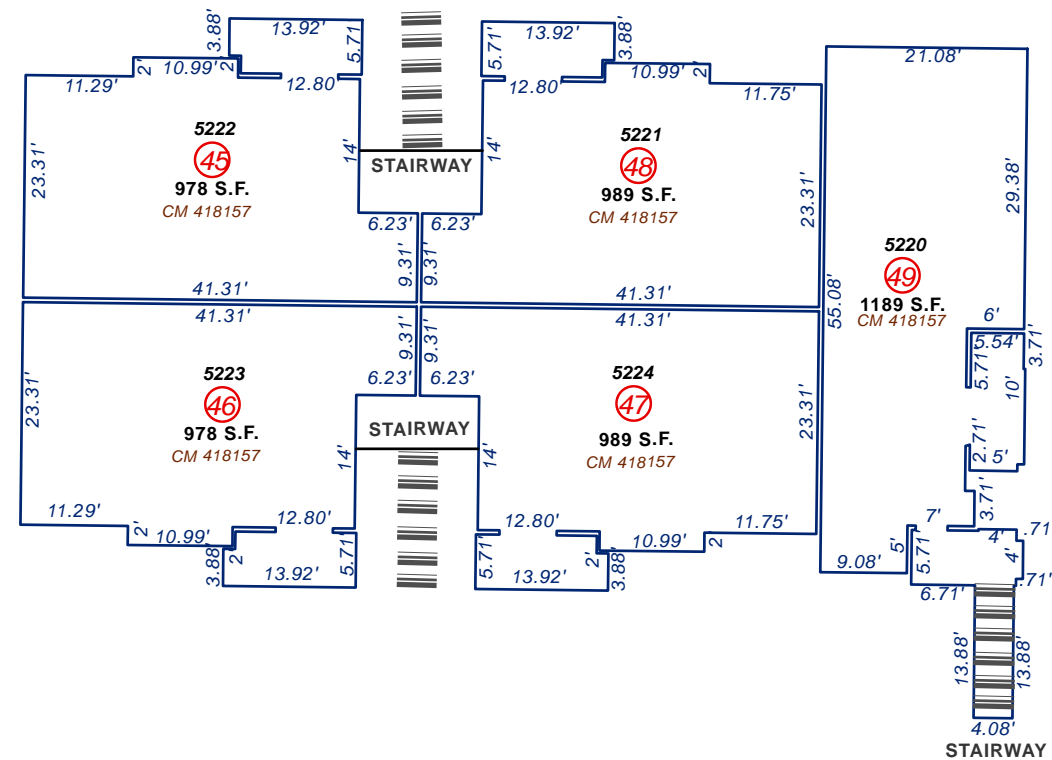
Portion NW 1/4 Section 13, T20N - R24E, MD&M

BUILDING 5
FIRST FLOOR



551

BUILDING 5
SECOND FLOOR



Map Elements

- 1/4 Corner Section
- Section Ties
- Dimensions
- Parcel Lot
- Parcel Number
- 0.13 Ac. Acreage of Parcel
- PM 136149 Recorded Map Image
- Parcel Boundaries
- Block Number
- Parcel Book & Page Number
- Page Number

Cities & Townships

- Dayton
- Dayton Valley
- Fernley
- Mark Twain
- Mason Valley
- Mound House
- Silver City
- Silver Springs
- Smith Valley
- Stagecoach
- Yerington

No Scale
Revised: December 31, 2007



NOTE: This is for assessment use only and does not represent a survey. No liability is assumed as to the accuracy of the data delineated hereon. Use of this plat for other than assessment purposes is forbidden unless approved by the Lyon County Assessor's Office.