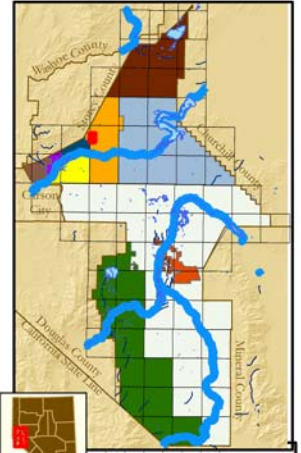
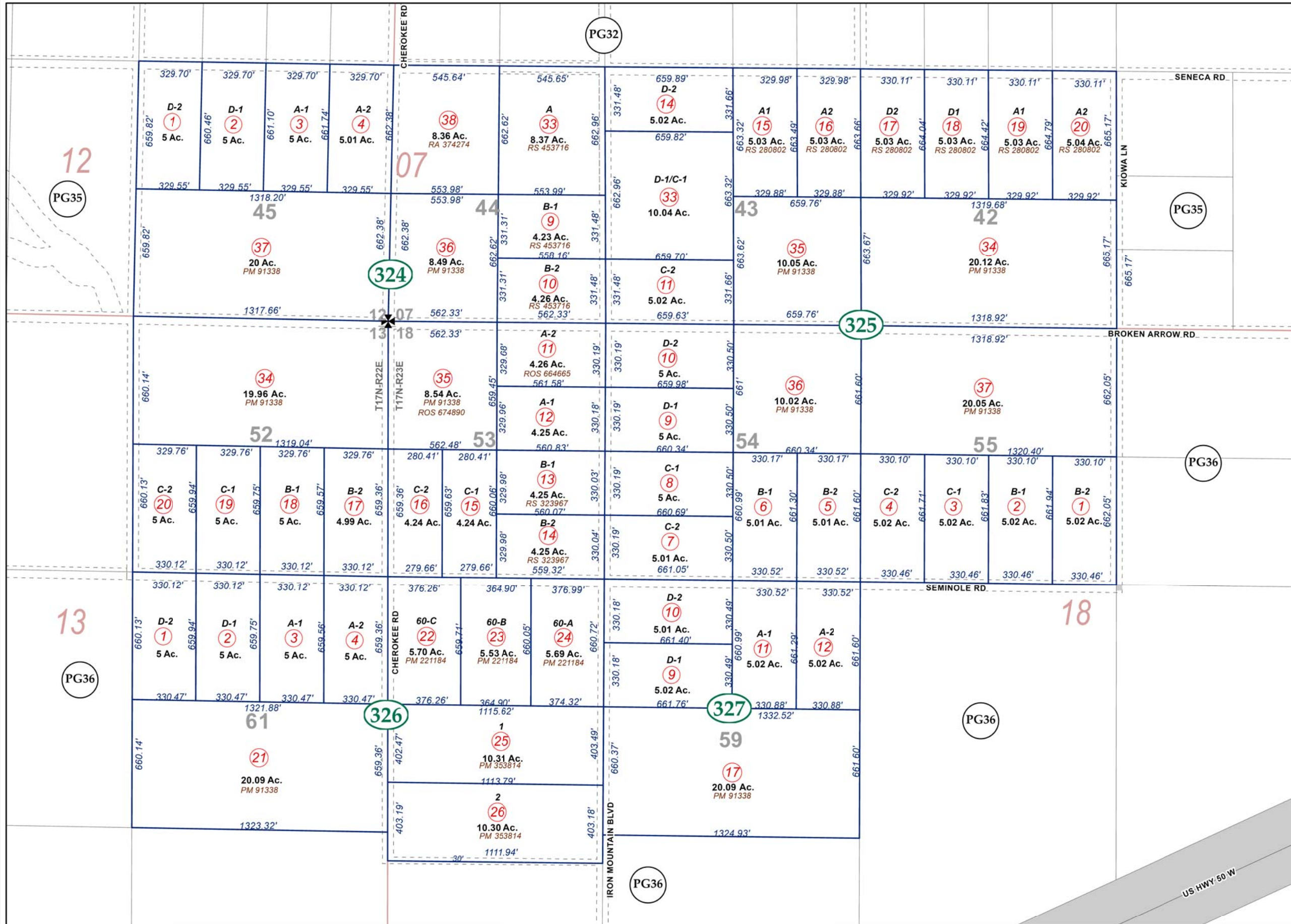
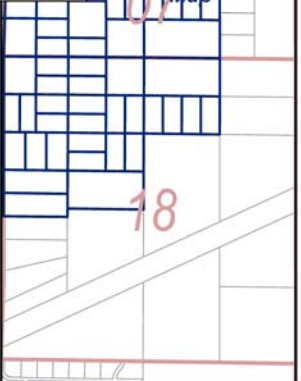


Portion of Section 12 & 13 T17N- R22E; Portion of Section 7 & 18 T17N-R23E, MD&M

15-324



County Location Map



Location Map

- Map Elements**
- ✦ 1/4 Corner Section
  - ✱ Section Ties
  - 300' Dimensions
  - 1 Parcel Lot
  - ① Parcel Number
  - ③ Parcel Number
  - 0.13 Ac. Acreage of Parcel
  - PM 136149 Recorded Map Image
  - ▭ Parcel Boundaries
  - ④ Block Number
  - ⑥K12 Parcel Book & Page Number
  - PG24 Page Number

- Cities & Townships**
- Dayton
  - Dayton Valley
  - Fernley
  - Mark Twain
  - Mason Valley
  - Mound House
  - Silver City
  - Silver Springs
  - Smith Valley
  - Stagecoach
  - Yerington

Scale: 1" = 500'  
 Revised: November 20, 2023

NOTE: This is for assessment use only and does not represent a survey. No liability is assumed as to the accuracy of the data delineated herein. Use of this plat for other than assessment purposes is forbidden unless approved by the Lyon County Assessor's Office.

IRON MOUNTAIN RANCH UNIT 1  
 S.M. 109792 8/26/87